



ILLUSTRATED PARTS LIST

PRO MAC 3000 - 3100 - 3500 - 3600 - 3800 S

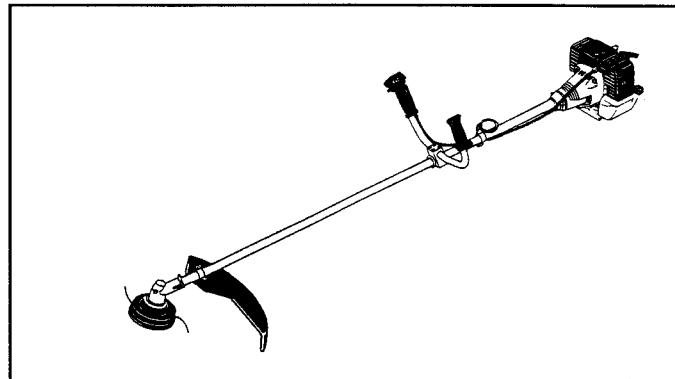
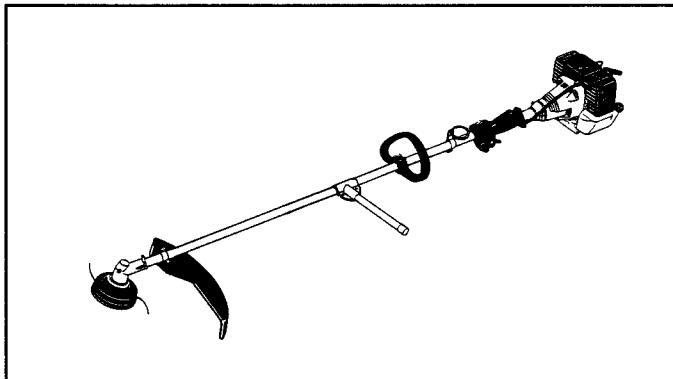
EUROMAC D30 - D31 - D36 - D38 - D39

ZETA 132

TD 3000 - 3100 - 3800 - 3900

GT 60 - 62 - 70 - 72

SERIAL NUMBER PREFIX 03-04



March 1997

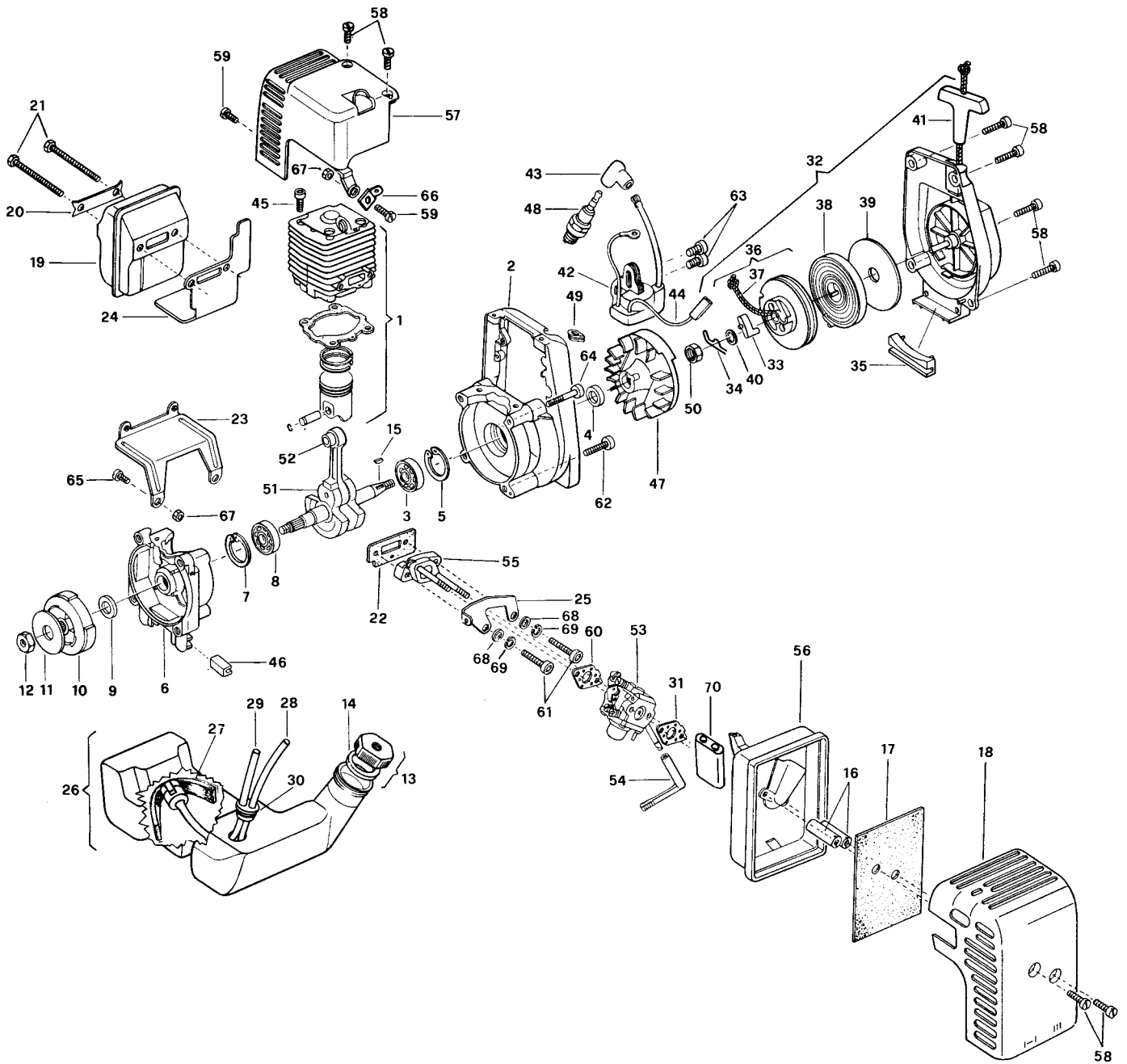


FIGURE 1

C	1	FIGURE 3	
	2	247704	1
	3	● 235900	1
C	4	● 228872	1
	5	● 235899	1
	6	247703	1
	7	● 235899	1
	8	● 235900	1
C	9	● 228872	1
B	10	227282	1
	11	236739	1
	12	228294	1
B	13	236563	1
A	14	● 236564	1
C	15	102164 Prefix 03	1
C		227631 Prefix 04	1
	16	227143 PROMAC/EUROMAC/ZETA	1
		227785 TITAN-GT	1
B	17	227145	1
	18	240496 PROMAC	1
		240793 EUROMAC	1
		227148 ZETA	1
		227784 TITAN	1

		241171 GT	1
C	19	237436	1
	20	227236	1
	21	227274 M5x60	2
C	22	227239	1
	23	227242	1
	24	227243	1
	25	227244	1
C	26	240493 PROMAC/EUROMAC/ZETA	1
C		227787 TITAN-GT	1
A	27	● 240452	1
B	28	● 227139	1
B	29	● 229809	1
C	30	● 235675	1
A	31	227417	1
C	32	227896 PROMAC-GT	1
		240789 EUROMAC	1
C		241151 ZETA	1
C		227780 TITAN	1
B	33	● 240492	1
B	34	● 240485	1
	35	● 227186	1
B	36	● 227194	1

A	37	●● 227703	1
B	38	● 227300	1
	39	● 227467	1
	40	● 227470	1
	41	● 240884	1
C	42	227874	1
	43	● 235922	1
	44	227774	1
	45	227565 M5X25	4
	46	229280	2
	47	227862 Prefix 03	1
		241189 Prefix 04	1
A	48	92879	1
	49	236322	1
	50	236617	1
	51	240677 Prefix 03	1
		241200 Prefix 04	1
C	52	● 235742	1
C	53	FIGURE 5	
	54	227255	1
C	55	237451	1
	56	237452	1
	57	240497 PROMAC	1

		240811 EUROMAC	1
		237454 ZETA	1
		227900 TITAN	1
		241174 GT	1
	58	240688 M5X14	8
	59	240688 M5X14	4
A	60	227692	1
	61	235803 M5X25	2
	62	235804 M5X30	2
	63	235806 M5X20	2
	64	235919 M5X40	2
	65	229563 M5X10	2
	66	228139	1
	67	236732	3
	68	235248	2
	69	236529	2
	70	241129	1

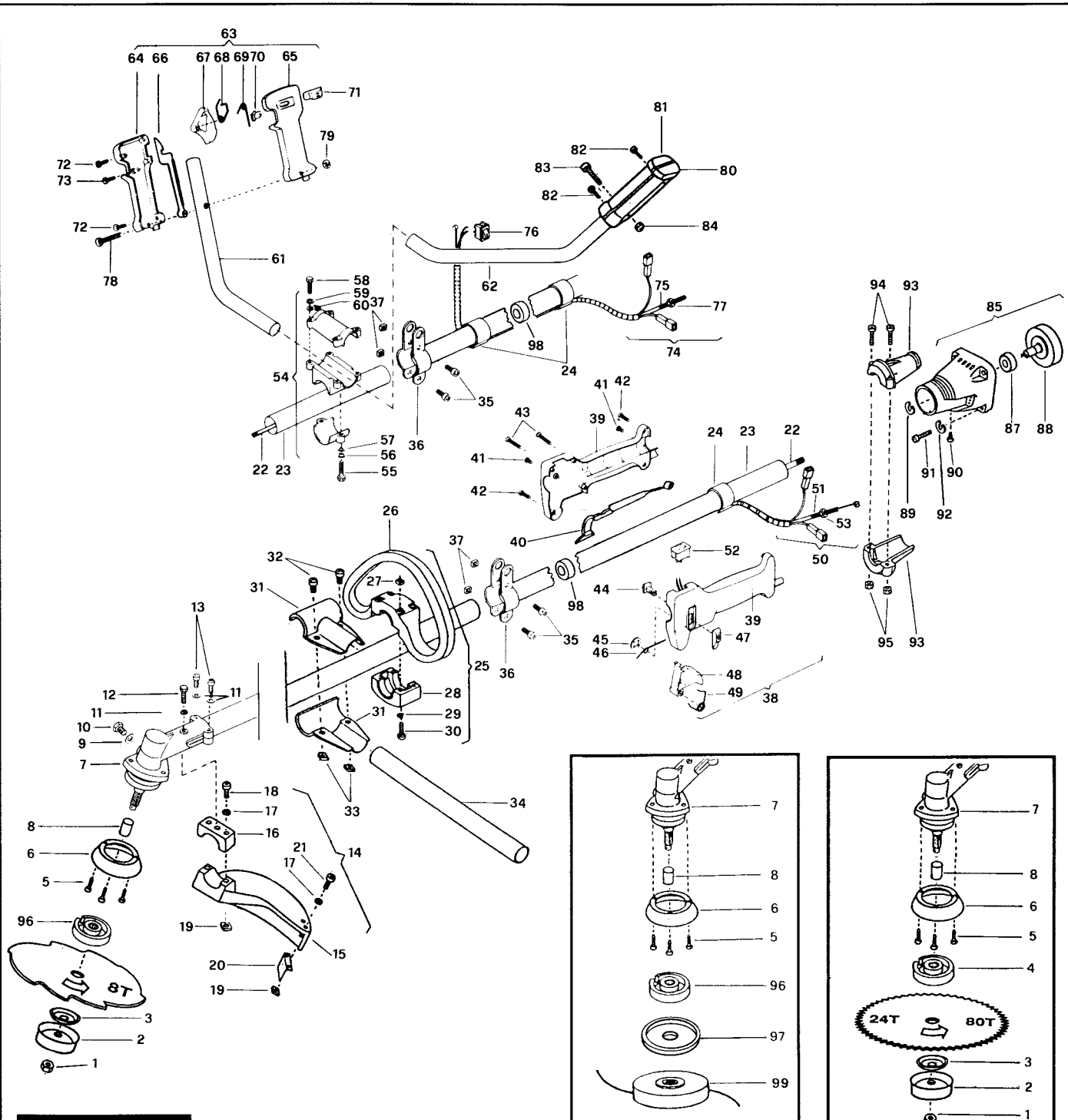


FIGURE 2

A	1	240481	1	24	229850	2	47	●229824	1	70	●229823	1	92	236528	4
A	2	236596	1	25	227068	1	48	●227064	1	71	●229824	1	93	240817	2
A	3	241006	1	26	●227045	1	49	●240091	1	72	●240618	2	94	235530 M5x35	2
A	4	224136-01	1	27	●236642	4	C 50	●240488	1	73	●240833	3	95	235216	2
5	240688	M5x14	3	28	●227046	1	C 51	●240489	1	C 74	●240505	1	A 96	240615	1
B	6	240767	1	29	●236936	4	C 52	●236394	1	C 75	●240506	1	97	241155	1
7	241017	1	30	●228320 M6x45	4	53	235912	1	C 76	●236394	1	98	228192	4	
8	●242723	1	31	228146	2	54	218591	1	77	235912	1	A 99	FIGURE 4		
9	●235906	1	32	235911 M6x12	2	55	●235921 M6x30	2	78	235804 M5x30	1				
10	●240151 M8x10	1	33	236642	2	56	●236528	2	79	235216	1				
11	236529	3	34	246864	1	57	●236936	2	80	229984	1				
12	236381 M5x10	1	35	235911 M6x12	2	58	●235803 M5x25	4	81	229985	1				
13	235803 M5x25	2	36	228152	2	59	●236529	4	82	240833	2				
B 14	247208	1	37	236642	2	60	●235248	4	83	235212 M5x35	1				
B 15	●240933	1	38	240487	1	61	229831	1	84	235216	1				
16	●240931	1	39	●246955	1	62	229832	1	85	240905 PROMAC-EUROMAC-ZETA	1				
17	●235248	4	40	●229819	1	63	240504	1	240993 TITAN	1					
18	●235806 M5x20	2	41	●236981	2	64	●227764	1	241173 GT	1					
19	●236732	4	42	●240618	2	65	●227763	1	C 87	●235918 TITAN-GT	1				
20	●224497-01	1	43	●240833	4	66	●229820	1	C 88	●227284	1				
21	●235802 M5x14	2	44	●229823	1	67	●229818	1	C 89	●236378	1				
22	228109	1	45	●227065	1	68	●240091	1	90	●236381 M5x10 TITAN-GT	1				
23	227233	1	46	●229973	1	69	●229973	1	91	235214 M6x20	4				

A = high moving - alta rotazione - haute demande - große Nachfrage B = medium moving - media rotazione - moyenne demande - mittelmäßige Nachfrage C = slow moving - bassa rotazione - basse demande - wenige Nachfrage

